

SENSORS

PIEZOELECTRIC VIBRATING GYROSCOPE

ENV-05D SERIES



Murata Electronics' new rotational angular velocity sensor combines Murata's equilateral triangle prism vibrating unit with a revolutionary mounting technology for the piezoelectric ceramic element that produces 100 times the precision of other vibration gyroscopes.

APPLICATIONS

- Navigation systems
- Platform positioning and stabilizing
- Car electronics: accident history recorder, dead reckoning, theft

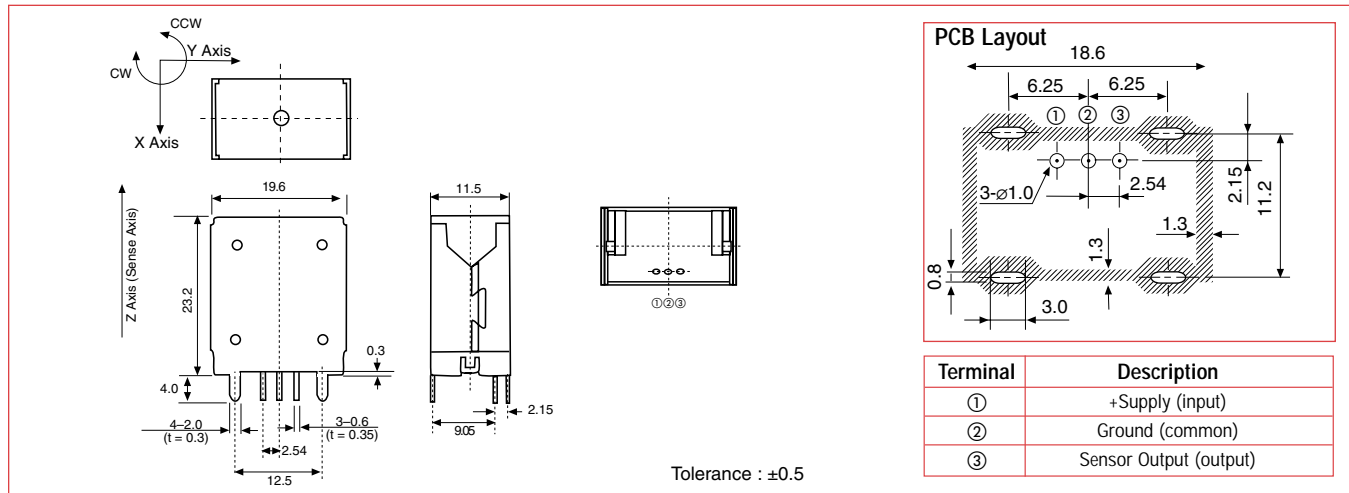
- retrieval, unmanned vehicles
- Satellite antenna positioning
- Office automation
- Factory automation
- Mayday system
- Construction equipment

Note: This product is not approved for military and avionics.

BENEFITS

- Low price
- Low drift
- Low noise
- Compact
- Fast response
- Precision detection

DIMENSIONS: mm



SPECIFICATIONS

Characteristics	Symbol	Condition	Min.	Std.	Max.	Unit
Supply voltage	Vcc		+4.5	+5.0	+5.5	VDC
Current consumption	Icc	at Vcc = 5.0VDC	—	—	15	mA
Maximum angular velocity	Omax.		-60	—	+60	deg/s
Output	Vo	Angular velocity = 0 at -30 ~ 80°C	2.100	2.500	2.900	VDC
Scale factor	Sv	at -10 ~ 60°C	23.0	25.0	27.0	mV/deg/s
		at -30 ~ 80°C	21.7	25.0	28.3	
Asymmetry CW & CCW			—	—	3	deg/s
Temperature coefficient	Scale factor	-10 ~ 60°C	—	—	±5	%FS
		-30 ~ 80°C	—	—	±10	
		Drift	-30 ~ 80°C	—	—	
Start up		Measure Vo after 5 seconds	—	—	±1	deg/s/10 min.
Noise level		12kHz noise	—	—	10	mVp-p
Linearity		in the maximum angular velocity range	—	—	0.5	%FS
Response		Phase delay: 90deg	—	10	—	Hz
Dependence on Supply Voltage	Output		0.8	—	1.2	
		Scale factor	0.8	—	1.2	
Operating Temperature Range	Topr		-30	—	80	°C
Storage Temperature Range	Tstg		-40	—	85	°C
Weight			—	—	20	g
Dimension			11.5(D) x 19.6(W) x 23.2(H) mm			

Unless otherwise specified, ambient temperature TA = 25 ± 5°C, Vcc = 5.0VDC. Use a sensor output load resistance of 100k ohm or more.

OLD PART NUMBERING SYSTEM

ENV-05 Model Name	F	XX	643	MURATA	JAPAN
FB: with wires pigtail	SUFFIX	LOT	MANUFACTURING	COUNTRY	
F: PCB mount	52=Standard	NUMBER	NUMBER	COMPANY OF ORIGIN	

NEW PART NUMBERING SYSTEM

EN	C-03JA	-02	□
PRODUCT ID	TYPE	INDIVIDUAL SPECIFICATION CODE	PACKAGING
* Global Part Number shows only an example which might be different from actual part number.			
* Any other definitions than "Product ID" might have different digit number from actual Global Part Number.			

For more detailed information regarding this product line in North America, contact us. To receive additional information on Murata Products call 1-800-831-9172.

SENSORS

PIEZOELECTRIC VIBRATING GYROSCOPE

ENC SERIES



This angular velocity sensor employs the principle that a Coriolis force results if an angular velocity is applied to a vibrating object. Murata's unique ceramic bimorph vibrating unit is used as the sensor element unit, thereby enabling piezoelectric ceramics to be used for both excitation and detection. The use of this unit simplifies equipment structure and circuit configuration, thus making it possible to provide outstanding performance.

This sensor can be used for positional control and posture control of a moving object requiring high-precision measurements.

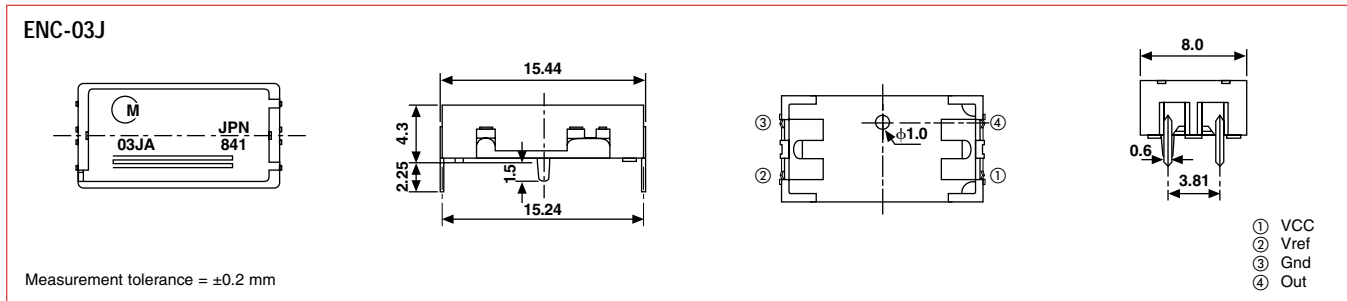
FEATURES

- Ultra small and ultra lightweight
- Quick response
- Low driving voltage, low current consumption
- Reliable feature achieved by a built in AGC circuit

APPLICATIONS

- Detecting hand movement involved in video and still camera
- Detecting vibrations in various vibration free table and isolators
- Detecting the own movement

DIMENSIONS: mm



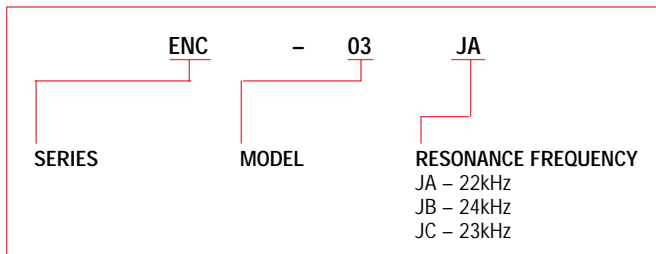
SPECIFICATIONS

Characteristics	Symbol	Condition	Min.	Std.	Max.	Unit
Supply voltage	Vcc		+2.7	+3.0	+5.5	VDC
Current consumption	I _{sup}	at Vcc = +3.0V	2.5	3.2	4.5	mA
Comparative voltage	Vref	at -5 ~ +75°C	+1.25	+1.35	+1.45	VDC
Static output (Bias)	V ₀	angular velocity = 0 at -5 ~ +75°C	Vref - 0.55	Vref	Vref + 0.55	VDC
Angular velocity range	ω max.			+300		deg/s
Scale factor	S _v		-20%	0.67	+20%	mV/deg/s
Temperature coefficient of Scale factor		Reference: Ta at -5 ~ +75°C	-20	—	+10	%FS
Resonance frequency						
– version ENC-03JA	f _a		—	22	—	kHz
– version ENC-03JB	f _b		—	24	—	kHz
– version ENC-03JC	f _c		—	23	—	kHz
Resonance frequency disparity	f _a – f _b	at -5 ~ +75°C	500	—	—	kHz
Linearity		in the maximum angular velocity range	-5	—	+5	%FS
Response		Phase delay: 90deg		DC p 50		Hz
Operating Temperature Range	T _{opr}		-5	—	+75	°C
Storage Temperature Range	T _{stg}		-30	—	+85	°C
Weight			—	—	1.0	g

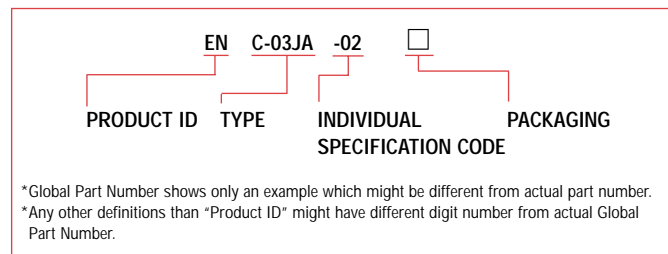
All typical values.

Unless otherwise specified, ambient temperature Ta = 25 ± 5°C, Vcc = 3.0VDC. Use a sensor output load resistance of 50kV or more. Comparative voltage (Vref) is grounded with condenser of 4.7mF.

OLD PART NUMBERING SYSTEM



NEW PART NUMBERING SYSTEM



For more detailed information regarding this product line in North America, contact us. To receive additional information on Murata Products call 1-800-831-9172.

This series of piezo shock detectors allows internal mounting due to its size.

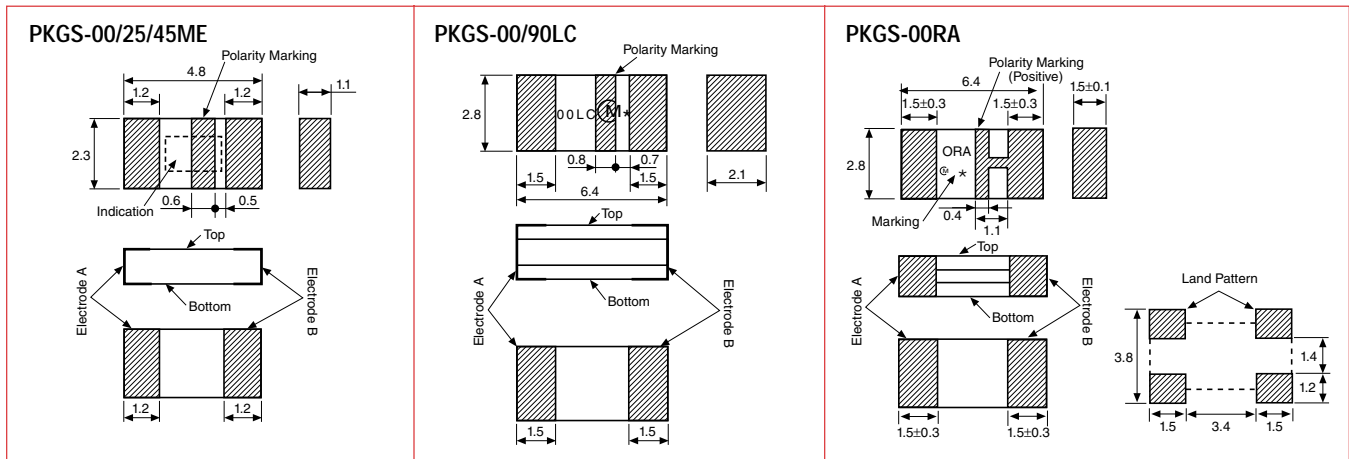
FEATURES

- Small size, low-profile, high-sensitivity and excellent shock resistance
- Reflow solderable SMD type
- Possible to be supplied in a tape and reel
- Wide measurement frequency band due to high resonant frequency and large capacitance

APPLICATIONS

- Detection of shock to protect small HDD from damaging the data
- Shock detection and protection of home appliances, audio-visual equipment, industrial equipment, etc.
- Burglar alarm systems
- Other general applications requiring measurement of acceleration

DIMENSIONS: mm

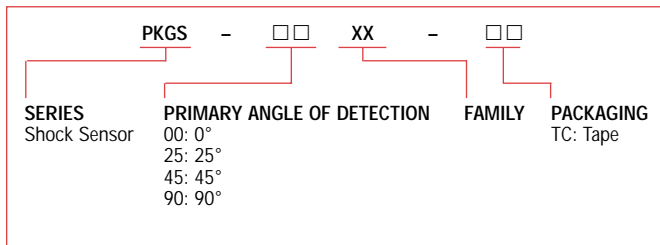


SPECIFICATIONS

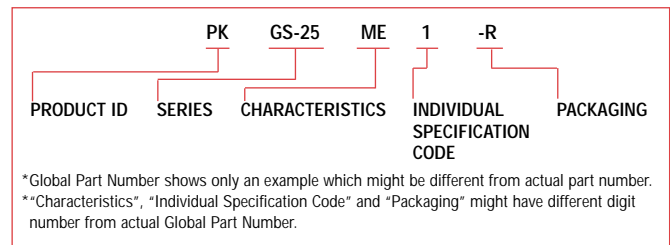
Part Number	Primary Axis Inclined Angle	Voltage Sensitivity (Primary Axis Direction)	Capacitance	Insulation Resistance	Resonant Frequency	Non-Linearity	Shock Resistance	Operating and Storage Temperature Range
PKGS-00ME	0°	0.85mV/G ± 15%	160pF ± 20%	500MΩ min.	30kHz (typ.)	1% (typ.)	1500G	-40 ~ +85°C
PKGS-25ME	25°	0.85mV/G ± 15%	170pF ± 20%		20kHz (typ.)			
PKGS-45ME	45°	0.89mV/G ± 15%	210pF ± 20%		30kHz (typ.)			
PKGS-00LC	0°	2.10mV/G ± 10%	420pF ± 20%					
PKGS-90LC	90°	2.10mV/G ± 10%	420pF ± 20%					
PKGS-00RA	0°	0.77mV/G ± 15%	760pF ± 20%					

Note: 1G = 9.8m/s²

OLD PART NUMBERING SYSTEM



NEW PART NUMBERING SYSTEM

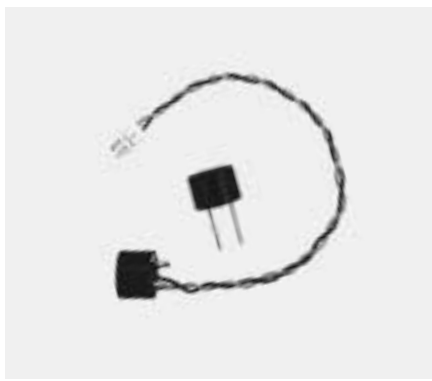


For more detailed information regarding this product line in North America, call 1-800-831-9172.

SENSORS

ULTRASONIC SENSORS

MA40 SERIES



MA40 SERIES OPEN TYPE FEATURES

- Small size: 10 and 16
- Combined types
- High SPL types
- Low voltage/current types

APPLICATIONS

- Burglar alarms
- Object detection devices
- Distance measurement devices

MA40E SERIES WATERPROOF TYPE FEATURES 40kHz Sensors

- Waterproof
- Many types leaded/not
- Short ringing time
- Directive models

APPLICATIONS

- Rear backing sonar
- Corner sonar

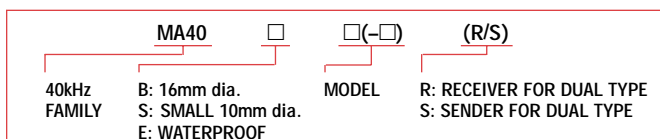
DIMENSIONS: mm

OPEN	MA40S4R/S	MA40B8R/S	MA40S5	MA40B7
WATERPROOF	MA40E7S-1	MA40MF14-1B	MA40E7R/S	MA40E8-2

SPECIFICATIONS

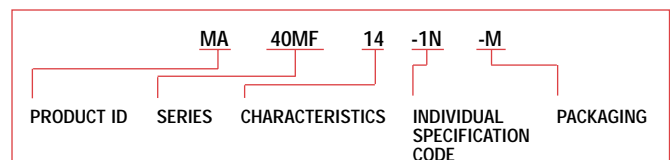
Part Number	MA40E7R/S	MA40S4R/S	MA40B8R/S	MA40B7	MA40E7S-1	MA40S5	MA40E8-2	MA40MF14-1B
Construction	Waterproof type	Open structure type			Waterproof type	Open structure type	Waterproof type	
Using Method	Receiver and Transmitter (Dual use) type			Combined use type				
Nominal Frequency (kHz)	40							
Overall Sensitivity (dB)	—	—	—	-45 ⁺⁴ ₋₅	—	-50 ± 4	—	—
Sensitivity (dB)	-74 min.	-63 ± 3	-63 ± 3	—	-72 min.	—	-85 min.	-87 min.
Sound Pressure (dB)	106 min.	120 ± 3	120 ± 3	—	106 min.	—	106 min.	103 min.
Directivity (deg)	100	80	50	44	75	70	75	110 x 50
Capacitance (pF)	2200 ± 20%	2550 ± 20%	2000 ± 20%	2000 ± 20%	2200 ± 20%	2550 ± 20%	2800 ± 20%	4000 ± 20%
Operating Temp. Range(°C)	-30 ~ +85	-40 ~ +85	-30 ~ +85			-40 ~ +85	-30 ~ +85	
Detectable Range (m)	0.2 - 3	0.2 - 4	0.2 - 6	0.2 - 4	0.2 - 3	0.2 - 2.5	0.2 - 1.5	0.2 - 1.5
Resolution (mm)	9							
Dimension (mm)	18φ x 12h	9.9φ x 7.1h	16φ x 12h	16φ x 12h	9.9φ x 7.1h		14φ x 8h	
Weight (g)	4.5	0.7	2.0	2.0	4.5	0.7	2.4	2.4
Allowable Input Voltage (Vp-p)	85 (40kHz) Pulse width 0.4ms Interval 100ms	20 (40kHz) Continuous signal	40 (40kHz) Continuous signal	100 (40kHz) Pulse width 0.4ms Interval 100ms	100pp Pulse width 0.4ms Interval 100ms	60 (40kHz) Pulse width 0.4ms Interval 100ms	160 (40kHz) Pulse width 0.8ms Interval 60ms	160Vpp Pulse width 0.8ms Interval 60ms
Packaging Quantity (Pcs.)	90	540	150	150	90	540	80	150

OLD PART NUMBERING SYSTEM



For more detailed information regarding this product line in North America, consult us.
To receive additional information on Murata Products call 1-800-831-9172.

NEW PART NUMBERING SYSTEM



*Global Part Number shows only an example which might be different from actual part number.

*Any other definitions than "Product ID" might have different digit numbers from actual Global Part Number.

SENSORS

PYROELECTRIC INFRARED SENSORS

IRA SERIES



Our pyroelectric infrared sensors exhibit high sensitivity and reliable performance made possible by Murata's ceramic technology.

FEATURES

- Precisely detects infrared emissions from the human body
- Designed to prevent malfunction due to external light
- E710 and 910 with immunity to RFI
- New gold plated pins

APPLICATIONS

- Burglar alarms
- Human detection devices
- Switches
- Lighting appliances
- Household appliances
- Toys
- Measure temperature
- Flame detection

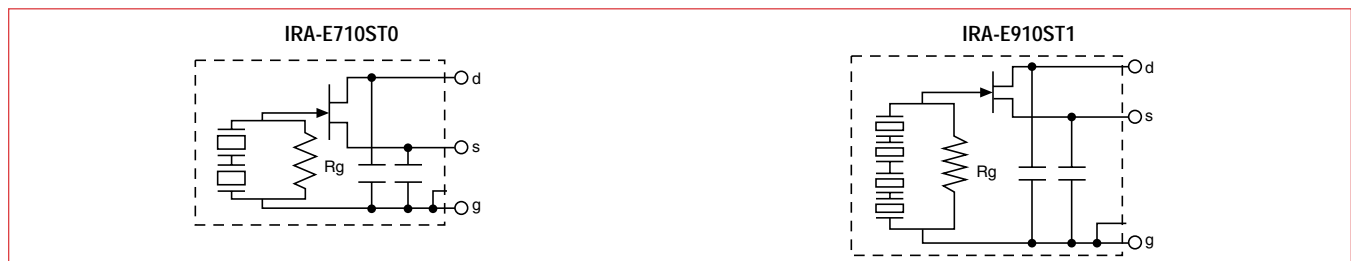
DIMENSIONS: mm

IRA-E700ST0/IRA-E710ST0	IRA-E900ST1/IRA-E910ST1	IRA-E410

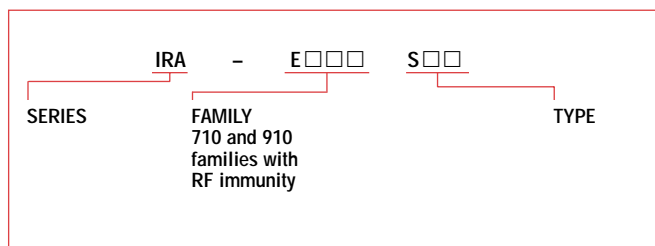
SPECIFICATIONS

IRA Family	Part Number	Element Type	Optical Wavelength Range	Field of View	Operating Temperature Range	Applications
E400	IRA-E410QW1	Single	4.3μm band pass	17° x 17°	-25 ~ +55°C	Flame detection
	IRA-E410ST1		5 ~ 20μm high pass			Burglar alarms, light controls
	IRA-E410S1		1 ~ 20μm			Temperature measurement
E700	IRA-E700ST0	Dual	5 ~ 14μm long pass	45° x 45°	-40 ~ +70°C	Burglar alarms, appliances, Burglar alarms with RFI immunity
	IRA-E710ST0					
E900	IRA-E900ST1	Quad	5 ~ 14μm	41° x 41°	-25 ~ +55°C	Burglar alarms, light control appliances with RFI immunity
	IRA-E910ST1					

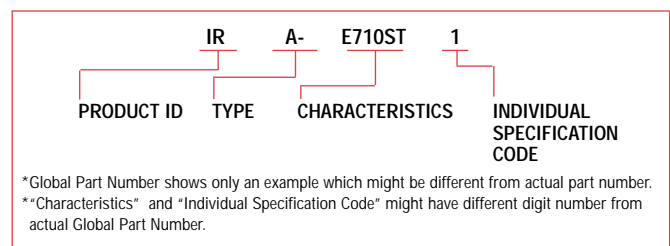
DIAGRAM



OLD PART NUMBERING SYSTEM



NEW PART NUMBERING SYSTEM



For more detailed information regarding this product line in North America, contact us.
To receive additional information on Murata Products call 1-800-831-9172.